

Raceway
Non-Metallic Raceway
PW2 WallTrak® (Latching) 1-Gang Standard
Box

HUBBELL

Features

- For standard switches and receptacles.
- See page R-63 for recommended plate options.
- If using dual services, the PDB1DIV must be ordered.

Ordering Information

Description	Color	UPC Number	Catalog Number
1-Gang Standard Box	Black	783585562575	PDB12SBK

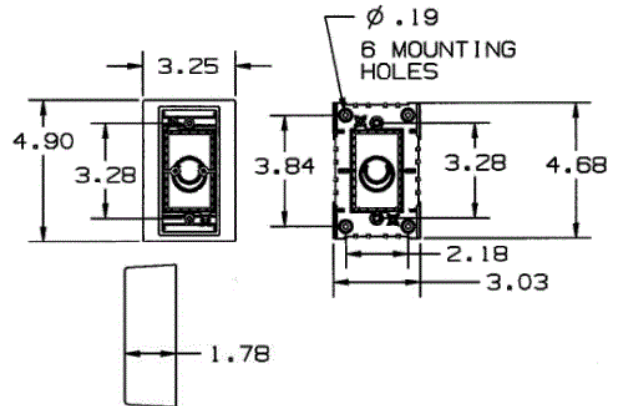


Listings

UL Listed
 CSA Certified

Specifications

Height	4.90"
Width	3.25"
Length	1.78"



Online Resources

Customer Use Drawing
 eCatalog
 Installation Instructions

Dimensions in Inches (mm)

Hubbell Wiring Device-Kellems • Hubbell Incorporated (Delaware) • 40 Waterview Drive • Shelton, CT 06484

Phone (800) 288-6000 • Fax (800) 255-1031 • Specifications subject to change without notice.

