

Raceway  
 Non-Metallic Raceway  
 PW2 WallTrak® (Latching) 1-Gang Standard  
 Box

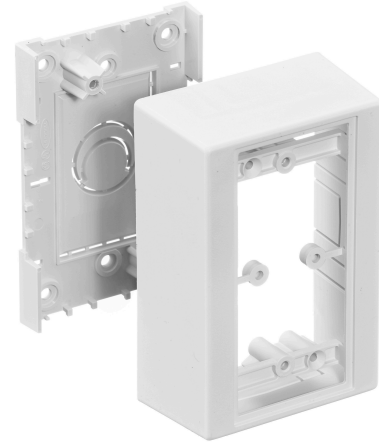
# HUBBELL

**Features**

- For standard switches and receptacles.
- See page R-63 for recommended plate options.
- If using dual services, the PDB1DIV must be ordered.

**Ordering Information**

Description	Color	UPC Number	Catalog Number
1-Gang Standard Box	White	783585562582	PDB12SW

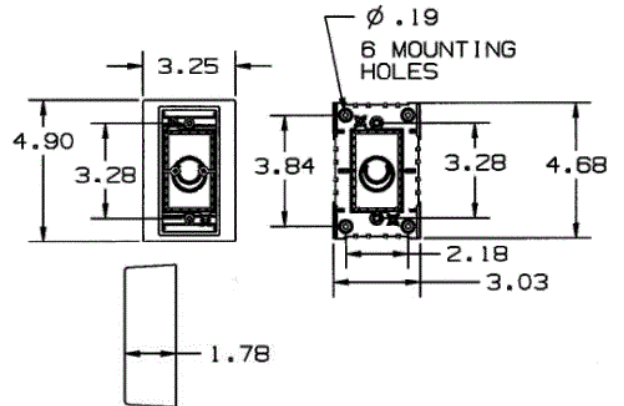


**Listings**

UL Listed  
 CSA Certified

**Specifications**

Height	4.90"
Width	3.25"
Length	1.78"



**Online Resources**

Customer Use Drawing  
 eCatalog  
 Installation Instructions

Dimensions in Inches (mm)

Hubbell Wiring Device-Kellems • Hubbell Incorporated (Delaware) • 40 Waterview Drive • Shelton, CT 06484

Phone (800) 288-6000 • Fax (800) 255-1031 • Specifications subject to change without notice.

