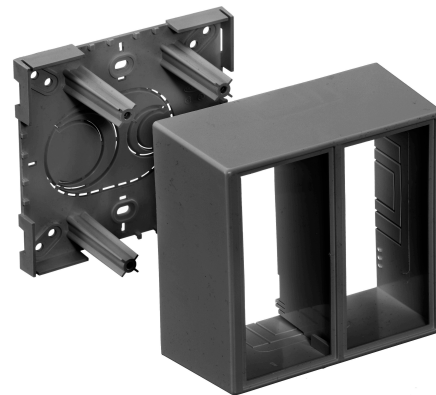


Raceway  
 Non-Metallic Raceway  
 PW2 WallTrak® (Latching) 2-Gang Deep  
 Divided Box

# HUBBELL

### Features

- For deep devices or applications where additional room is beneficial.
- See page R-63 for single gang “KP” plate options.
- Comes with removable divider.
- If using dual services, in a perpendicular run the PDB2DIV must be ordered.



### Ordering Information

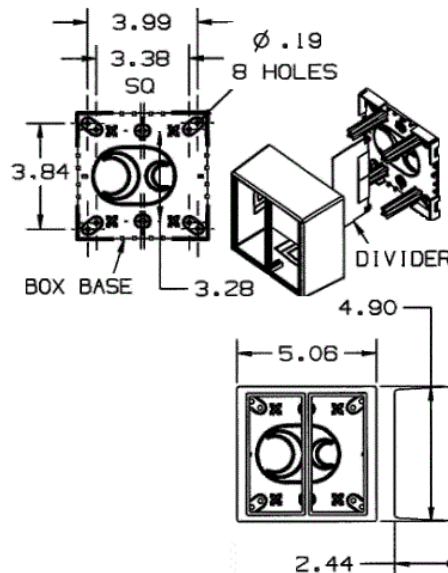
Description	Color	UPC Number	Catalog Number
2-Gang Deep Divided Box	Black	783585562599	PDB12TGDBK

### Listings

UL Listed  
 CSA Certified

### Specifications

Height	4.90"
Width	5.06"
Length	2.44"



### Online Resources

Customer Use Drawing  
 eCatalog  
 Installation Instructions

Dimensions in Inches (mm)

Hubbell Wiring Device-Kellems • Hubbell Incorporated (Delaware) • 40 Waterview Drive • Shelton, CT 06484

Phone (800) 288-6000 • Fax (800) 255-1031 • Specifications subject to change without notice.

