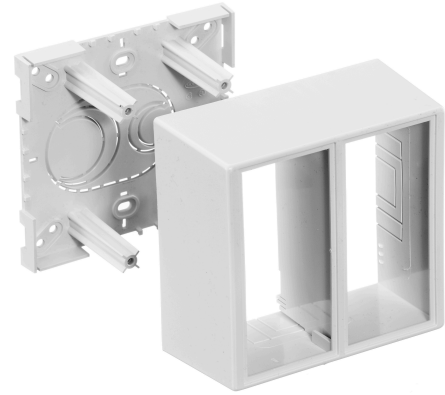


Raceway
 Non-Metallic Raceway
**PW2 WallTrak® (Latching) 2-Gang Deep
 Divided Box**

HUBBELL

Features

- For deep devices or applications where additional room is beneficial.
- See page R-63 for single gang “KP” plate options.
- Comes with removable divider.
- If using dual services, in a perpendicular run the PDB2DIV must be ordered.



Ordering Information

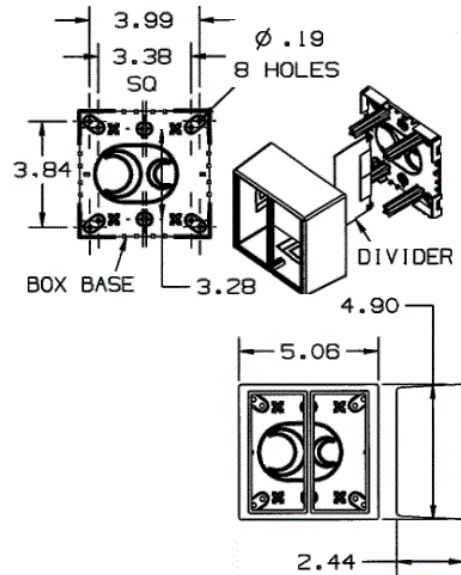
Description	Color	UPC Number	Catalog Number
2-Gang Deep Divided Box	White	783585562605	PDB12TGDW

Listings

UL Listed
 CSA Certified

Specifications

Height	4.90"
Width	5.06"
Length	2.44"



Online Resources

Customer Use Drawing
 eCatalog
 Installation Instructions

Dimensions in Inches (mm)

Hubbell Wiring Device-Kellems • Hubbell Incorporated (Delaware) • 40 Waterview Drive • Shelton, CT 06484

Phone (800) 288-6000 • Fax (800) 255-1031 • Specifications subject to change without notice.

