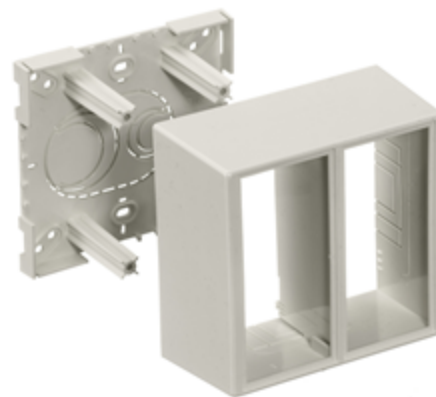


**Raceway**  
**Non-Metallic Raceway**  
**PW2 WallTrak® (Latching) 2-Gang Deep**  
**Divided Box**

# HUBBELL

**Features**

- For deep devices or applications where additional room is beneficial.
- See page R-63 for single gang “KP” plate options.
- Comes with removable divider.
- If using dual services, in a perpendicular run the PDB2DIV must be ordered.



**Ordering Information**

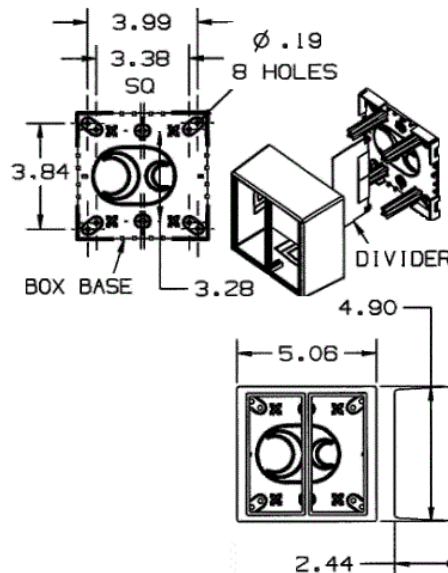
Description	Color	UPC Number	Catalog Number
2-Gang Deep Divided Box	Office White	783585090412	PDB12TGD

**Listings**

UL Listed  
 CSA Certified

**Specifications**

Height	4.90"
Width	5.06"
Length	2.44"



**Online Resources**

Customer Use Drawing  
 eCatalog  
 Installation Instructions

Dimensions in Inches (mm)

Hubbell Wiring Device-Kellems • Hubbell Incorporated (Delaware) • 40 Waterview Drive • Shelton, CT 06484

Phone (800) 288-6000 • Fax (800) 255-1031 • Specifications subject to change without notice.

