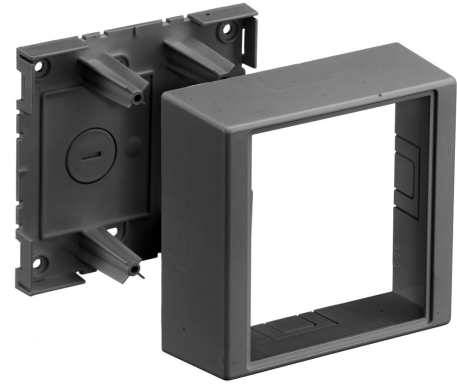


**Raceway**  
**Non-Metallic Raceway**  
**PW2 WallTrak® (Latching) 2-Gang Deep**  
**Undivided Box**

# HUBBELL

**Features**

- For low voltage applications only. Use with 2-gang “IFP” or “IMF” plates only
- Use with 2-gang “IFP” or “IMF” plates only
- See page R-63 for recommended plate options.



**Ordering Information**

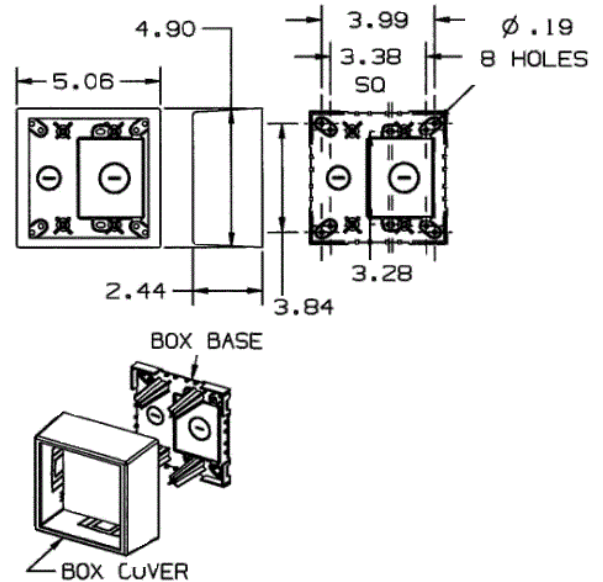
Description	Color	UPC Number	Catalog Number
2-Gang Deep Undivided Box	Black	783585562612	PDB12TGLVBK

**Listings**

UL Listed  
 CSA Certified

**Specifications**

Height	4.90"
Width	5.06"
Length	2.44"



**Online Resources**

Customer Use Drawing  
 eCatalog  
 Installation Instructions

Dimensions in Inches (mm)

Hubbell Wiring Device-Kellems • Hubbell Incorporated (Delaware) • 40 Waterview Drive • Shelton, CT 06484

Phone (800) 288-6000 • Fax (800) 255-1031 • Specifications subject to change without notice.

