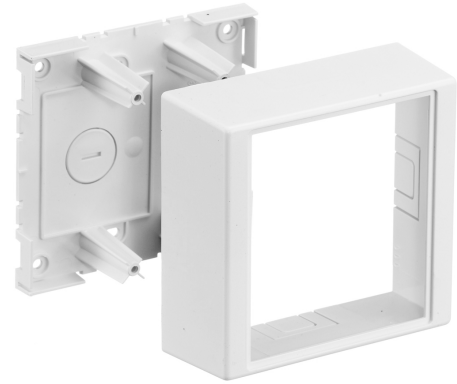


Raceway
Non-Metallic Raceway
PW2 WallTrak® (Latching) 2-Gang Deep
Undivided Box

HUBBELL

Features

- For low voltage applications only. Use with 2-gang “IFP” or “IMF” plates only
- Use with 2-gang “IFP” or “IMF” plates only
- See page R-63 for recommended plate options.



Ordering Information

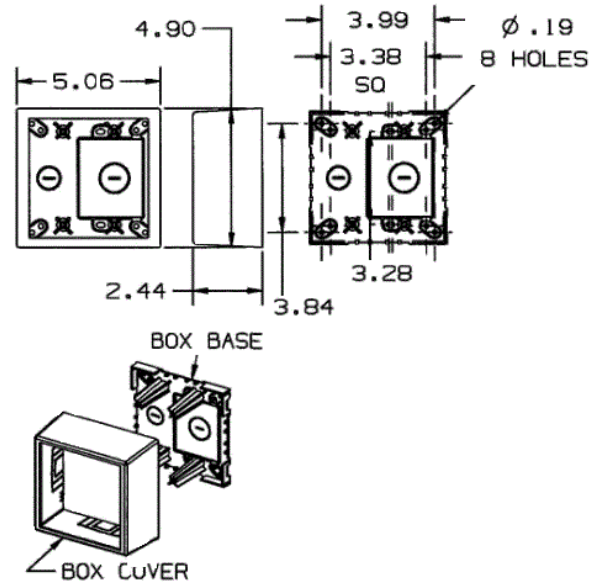
| Description | Color | UPC Number | Catalog Number |
|---------------------------|-------|--------------|----------------|
| 2-Gang Deep Undivided Box | White | 783585562629 | PDB12TGLVW |

Listings

UL Listed
 CSA Certified

Specifications

| | |
|--------|-------|
| Height | 4.90" |
| Width | 5.06" |
| Length | 2.44" |



Online Resources

Customer Use Drawing
 eCatalog
 Installation Instructions

Dimensions in Inches (mm)

Hubbell Wiring Device-Kellems • Hubbell Incorporated (Delaware) • 40 Waterview Drive • Shelton, CT 06484

Phone (800) 288-6000 • Fax (800) 255-1031 • Specifications subject to change without notice.

