

Floor Boxes

Flush Round Single or Multi-Service

Flush Round Covers and Flanges

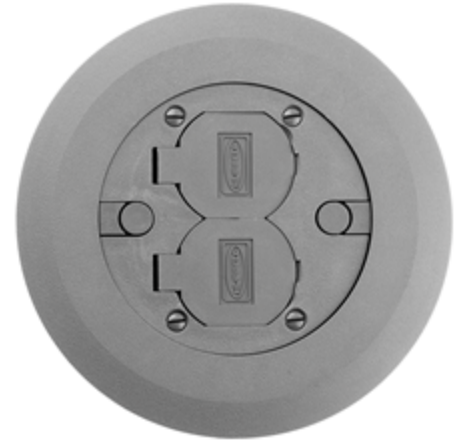
HUBBELL

Features

- Meets ADA standards for accessible design
- Provides consistent look and maximum functionality
- Non-metallic

Ordering Information

Description	Device Color	UPC	Catalog Number
Includes floor box	Gray	783585342498	PFBCGYA

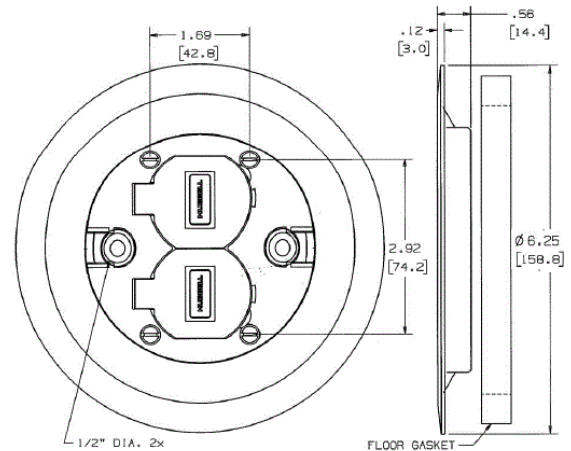


Listings

UL File Number E92074

Specifications

Diameter	6.25 in.
Material	Thermoplastic ABS
Floor Box Version	Round
Box Item	Non-metallic Combo Cover/Flange
Insulator	Separates receptacle from low-voltage wiring



Online Resources

[Customer Use Drawing](#)
[eCatalog](#)
[Installation Instructions](#)

Dimensions in Inches (mm)

Hubbell Wiring Device-Kellems • Hubbell Incorporated (Delaware) • 40 Waterview Drive • Shelton, CT 06484

Phone (800) 288-6000 • Fax (800) 255-1031 • Specifications subject to change without notice.

