

**Floor Boxes**  
**SystemOne Adjustable Floor Box Stand**  
 For Use In Concrete Floors



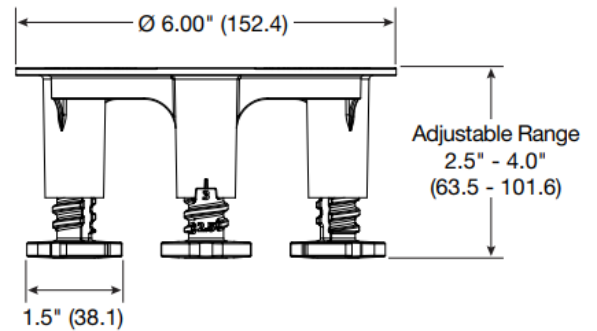
**Features**

- Designed to be used with Hubbell RF400, PFB1, CFBS1R4PFB and S1PFB concrete floor boxes
- For slab on-grade, second floor and above installations
- Allows floor boxes to be installed in deeper concrete pours
- Adjustment range 2.5 inch to 4.0 inch
- Molded PVC construction



**Ordering Information**

Description	UPC Number	Catalog Number
Adjustable Non-Metallic Concrete Floor Box Stand	783585548920	PFBSTAND
Bond with standard PVC glue		



**Specifications**

Stand Material	PVC
----------------	-----

