

## Wallplate Duplex and Decorator 2-Gang

### Features

- High-impact, self-extinguishing polycarbonate material
- More rigid; sharp lines and less dimpling
- Smooth satin finish; blends into wall with an optimum finish

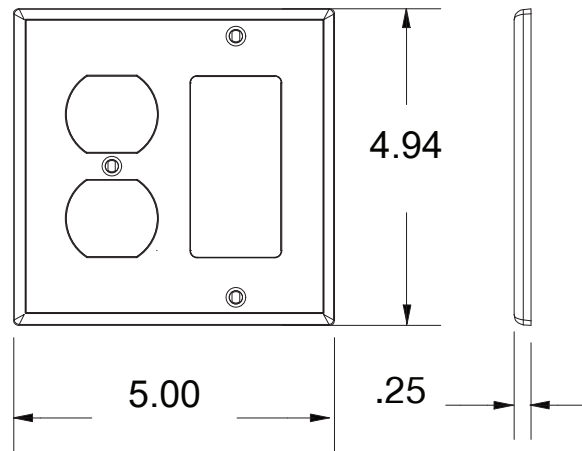


### Ordering Information

Description	Gang	Color	UPC Number	Catalog Number
Duplex and decorator wallplate, smooth satin finish, for use with 1 duplex receptacle and 1 decorator device	2	Brown	883778314476	PJ826

### Listings

cULus Listed



### Specifications

Material	Polycarbonate thermoplastic
Thickness	.25 (6.4)
Orientation	Orientation
Mounting	Screw
Mounting Screws	Painted steel
Dimensions	4.94 in x 5.00 in x 0.25 in
Flammability	UL 94 V2