

Raceway
Non-Metallic Raceway
PL1 LANTrak® (Latching) Base and Cover

HUBBELL

Features

- Single channel raceway
- Comes without Adhesive
- Available in 5 ft. (1.5m) and 7 ft. (2.1m) lengths.



Ordering Information

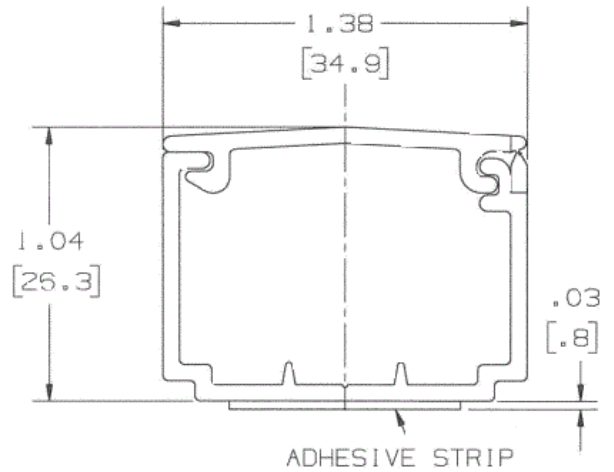
Description	Color	UPC Number	Catalog Number
Base and Cover	White	783585562100	PL1BC5W

Listings

UL Listed
CSA Certified

Specifications

Height	1.04"
Width	1.38"
Length	5'



Online Resources

Customer Use Drawing
eCatalog
Installation Instructions

Dimensions in Inches (mm)

Hubbell Wiring Device-Kellems • Hubbell Incorporated (Delaware) • 40 Waterview Drive • Shelton, CT 06484

Phone (800) 288-6000 • Fax (800) 255-1031 • Specifications subject to change without notice.

