

**Raceway**  
**Non-Metallic Raceway**  
**PL1 LANTrak® (Latching) Base and Cover**

# HUBBELL

### Features

- Single channel raceway
- Comes without Adhesive
- Available in 5 ft. (1.5m) and 7 ft. (2.1m) lengths.



### Ordering Information

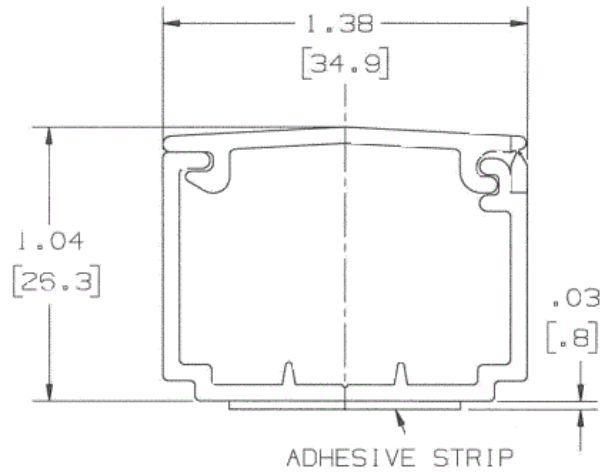
Description	Color	UPC Number	Catalog Number
Base and Cover	Office White	783585090245	PL1BC7

### Listings

UL Listed  
CSA Certified

### Specifications

Height	1.04"
Width	1.38"
Length	7'



### Online Resources

Customer Use Drawing  
eCatalog  
Installation Instructions

Dimensions in Inches (mm)

Hubbell Wiring Device-Kellems • Hubbell Incorporated (Delaware) • 40 Waterview Drive • Shelton, CT 06484

Phone (800) 288-6000 • Fax (800) 255-1031 • Specifications subject to change without notice.

