

Raceway  
Non-Metallic Raceway  
PL1 LANTrak® (Latching) Flat Elbow Base  
and Cover

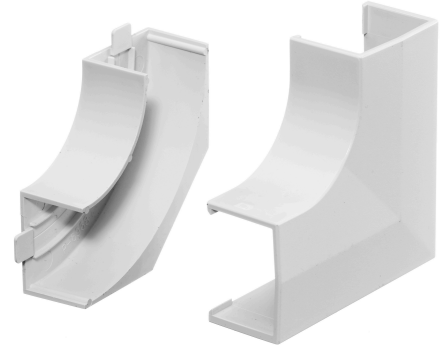
# HUBBELL

### Features

- Full capacity 1¼ in. bend radius flat elbow.

### Ordering Information

Description	Color	UPC Number	Catalog Number
Flat Elbow Base and Cover	White	783585562704	PL1FEBCW

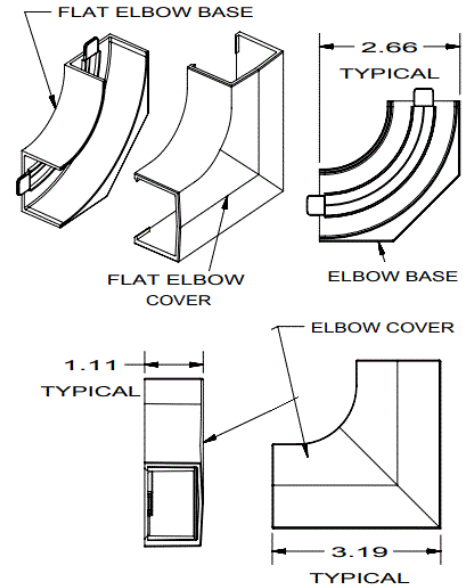


### Listings

UL Listed  
CSA Certified

### Specifications

Height	1.11"
Width	3.19"
Length	3.19"



### Online Resources

Customer Use Drawing  
eCatalog  
Installation Instructions

Dimensions in Inches (mm)

Hubbell Wiring Device-Kellems • Hubbell Incorporated (Delaware) • 40 Waterview Drive • Shelton, CT 06484

Phone (800) 288-6000 • Fax (800) 255-1031 • Specifications subject to change without notice.

