

Raceway
 Non-Metallic Raceway
 PL1 LANTrak® (Latching) Flat Elbow Base
 and Cover

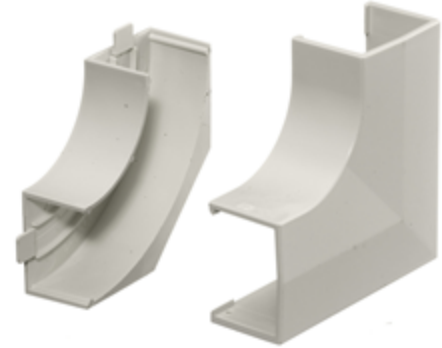
HUBBELL

Features

- Full capacity 1¼ in. bend radius flat elbow.

Ordering Information

Description	Color	UPC Number	Catalog Number
Flat Elbow Base and Cover	Office White	783585090276	PL1FEBC

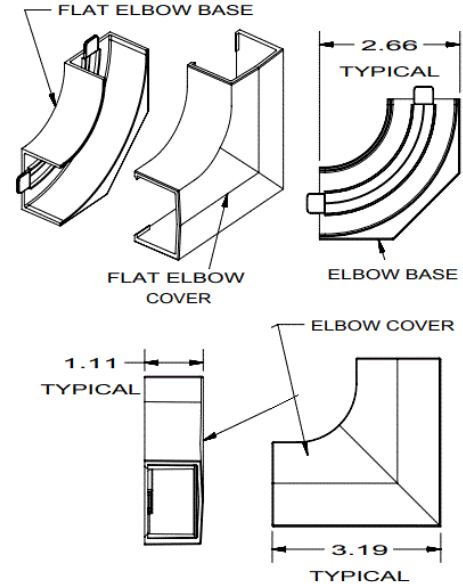


Listings

UL Listed
 CSA Certified

Specifications

Height	1.11"
Width	3.19"
Length	3.19"



Online Resources

Customer Use Drawing
 eCatalog
 Installation Instructions

Dimensions in Inches (mm)

Hubbell Wiring Device-Kellems • Hubbell Incorporated (Delaware) • 40 Waterview Drive • Shelton, CT 06484

Phone (800) 288-6000 • Fax (800) 255-1031 • Specifications subject to change without notice.

