

Raceway
Non-Metallic Raceway
PL1 LANTrak® (Latching) Safety Strap

HUBBELL

Features

- For preventing potential tampering with PP1 PremiseTrak cover.

Ordering Information

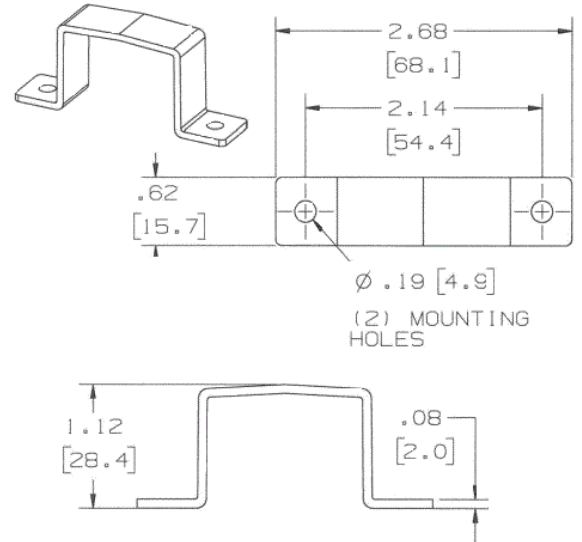
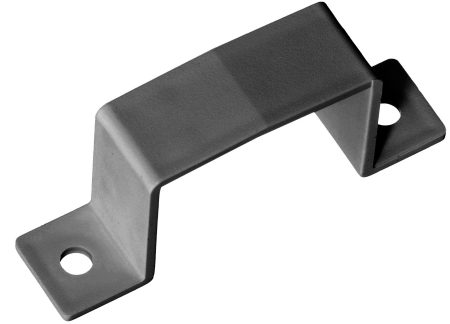
Description	Color	UPC Number	Catalog Number
Safety Strap	Black	783585562797	PL1SSBK

Listings

UL Listed
CSA Certified

Specifications

Height	1.12"
Width	2.68"
Length	0.62"



Online Resources

Customer Use Drawing
eCatalog
Installation Instructions

Dimensions in Inches (mm)

Hubbell Wiring Device-Kellems • Hubbell Incorporated (Delaware) • 40 Waterview Drive • Shelton, CT 06484

Phone (800) 288-6000 • Fax (800) 255-1031 • Specifications subject to change without notice.

