

Raceway
Non-Metallic Raceway
PP1 PremiseTrak[®] (Latching) Safety Strap

HUBBELL

Features

- For preventing potential tampering with PP1 PremiseTrak cover.
- Can also be used as a splice cover.

Ordering Information

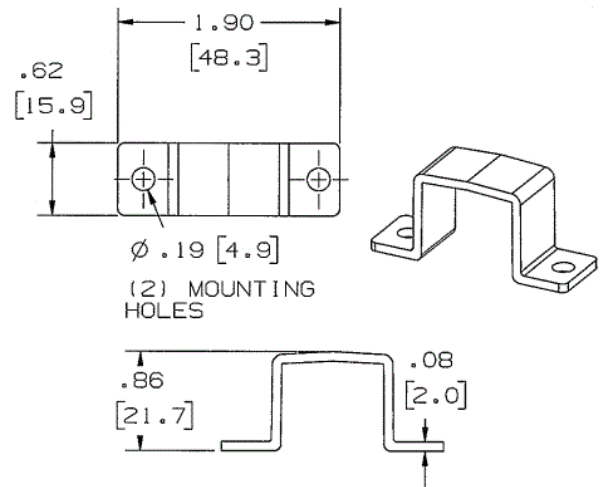
Description	Color	UPC Number	Catalog Number
Safety Strap	Office White	783585090566	PP1SS

Listings

UL Listed
 CSA Certified

Specifications

Height	0.86"
Width	1.94"
Length	0.62"



Online Resources

Customer Use Drawing
 eCatalog
 Installation Instructions

Dimensions in Inches (mm)

Hubbell Wiring Device-Kellems • Hubbell Incorporated (Delaware) • 40 Waterview Drive • Shelton, CT 06484

Phone (800) 288-6000 • Fax (800) 255-1031 • Specifications subject to change without notice.

