

Raceway
Non-Metallic Raceway
Non-Latching PremiseTrak® Conduit
Adapter/Ceiling Fitting

HUBBELL

Features

- For connecting conduit to raceway. Also use for ceiling feeds. Has combination 1/2 in., 3/4 in. and 1 in. trade size KOs.

Ordering Information

Description	Color	UPC Number	Catalog Number
Conduit Adapter/Ceiling Fitting	Office White	783585337937	PT12CA

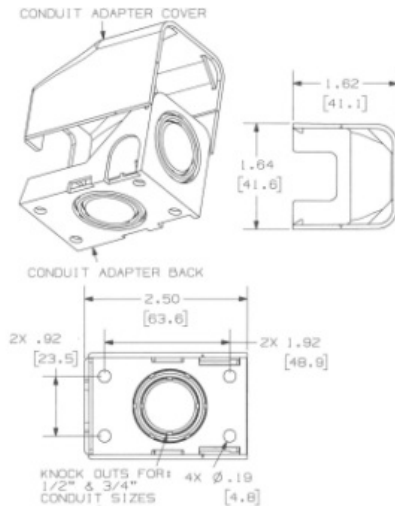


Listings

UL Listed
 CSA Certified

Specifications

Height	1.62"
Width	2.50"
Length	1.64"



Online Resources

Customer Use Drawing
 eCatalog
 Installation Instructions

Dimensions in Inches (mm)

Hubbell Wiring Device-Kellems • Hubbell Incorporated (Delaware) • 40 Waterview Drive • Shelton, CT 06484

Phone (800) 288-6000 • Fax (800) 255-1031 • Specifications subject to change without notice.

