

**Raceway**  
**Non-Metallic Raceway**  
**Non-Latching PremiseTrak<sup>®</sup> Base and Cover**

# HUBBELL

**Features**

- Comes with Adhesive
- Single channel raceway
- Available in 5 ft. (1.5m) and 7 ft. (2.1m) lengths

**Ordering Information**

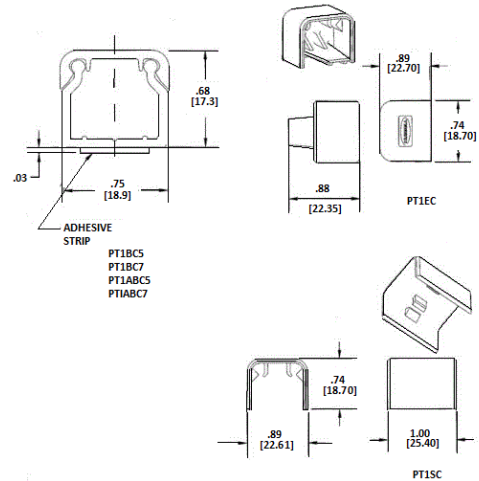
Description	Color	UPC Number	Catalog Number
Base and Cover	Office White	783585337845	PT1ABC5

**Listings**

UL Listed  
 CSA Certified

**Specifications**

Height	0.68"
Width	0.75"
Length	5'



**Online Resources**

Customer Use Drawing  
 eCatalog  
 Installation Instructions

Dimensions in Inches (mm)

Hubbell Wiring Device-Kellems • Hubbell Incorporated (Delaware) • 40 Waterview Drive • Shelton, CT 06484

Phone (800) 288-6000 • Fax (800) 255-1031 • Specifications subject to change without notice.

