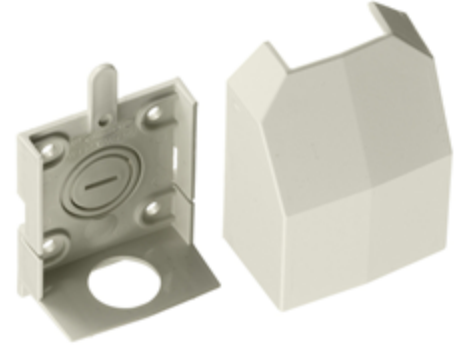


Raceway
Non-Metallic Raceway
PW1 WallTrak® Low Profile (Latching)
Conduit Adapter/Ceiling Fitting

HUBBELL

Features

- For connecting conduit to raceway.
- Also use for ceiling feeds.
- Has combination 1/2 in., 3/4 in. and 1 in. trade size KOs.



Ordering Information

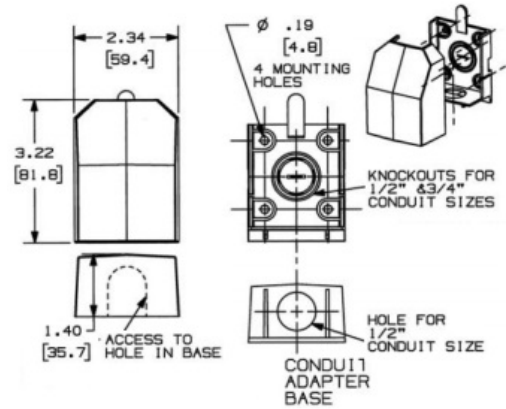
| Description | Color | UPC Number | Catalog Number |
|---------------------------------|--------------|--------------|----------------|
| Conduit Adapter/Ceiling Fitting | Office White | 783585092102 | PW1CA |

Listings

UL Listed
 CSA Certified

Specifications

| | |
|--------|-------|
| Height | 3.22" |
| Width | 2.34" |
| Length | 1.4" |



Online Resources

Customer Use Drawing
 eCatalog
 Installation Instructions

Dimensions in Inches (mm)

Hubbell Wiring Device-Kellems • Hubbell Incorporated (Delaware) • 40 Waterview Drive • Shelton, CT 06484

Phone (800) 288-6000 • Fax (800) 255-1031 • Specifications subject to change without notice.

