

Raceway
Non-Metallic Raceway
PW1 WallTrak® Low Profile (Latching) End
Cap

HUBBELL

Features

- For closing end of raceway

Ordering Information

| Description | Color | UPC Number | Catalog Number |
|-------------|--------------|--------------|----------------|
| End Cap | Office White | 783585092072 | PW1EC |

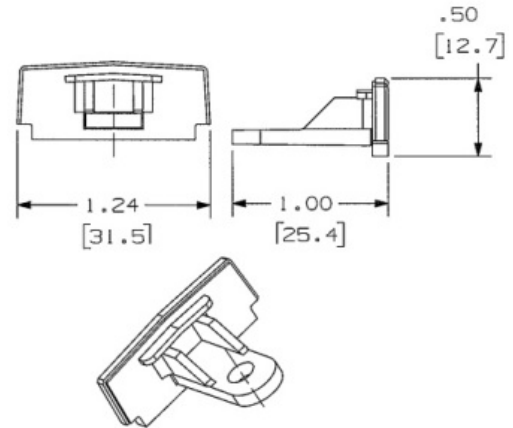


Listings

UL Listed
CSA Certified

Specifications

| | |
|--------|-------|
| Height | 0.50" |
| Width | 1.24" |
| Length | 1.00" |



Online Resources

Customer Use Drawing
eCatalog
Installation Instructions

Dimensions in Inches (mm)

Hubbell Wiring Device-Kellems • Hubbell Incorporated (Delaware) • 40 Waterview Drive • Shelton, CT 06484

Phone (800) 288-6000 • Fax (800) 255-1031 • Specifications subject to change without notice.

