

Raceway  
Non-Metallic Raceway  
PW1 WallTrak® Low Profile (Latching) Flat  
Elbow Cover

# HUBBELL

## Features

- For right angle turns on same surface.

## Ordering Information

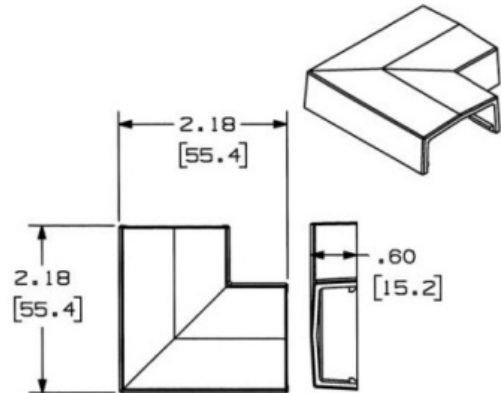
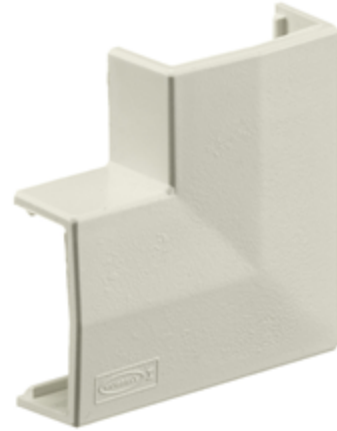
Description	Color	UPC Number	Catalog Number
Flat Elbow Cover	Office White	783585092058	PW1FE

## Listings

UL Listed  
CSA Certified

## Specifications

Height	0.60"
Width	2.18"
Length	2.18"



## Online Resources

Customer Use Drawing  
eCatalog  
Installation Instructions

Dimensions in Inches (mm)

Hubbell Wiring Device-Kellems • Hubbell Incorporated (Delaware) • 40 Waterview Drive • Shelton, CT 06484

Phone (800) 288-6000 • Fax (800) 255-1031 • Specifications subject to change without notice.

