

**Raceway**  
**Non-Metallic Raceway**  
**PW1 WallTrak® Low Profile (Latching)**  
**1-Gang Standard Box**

# HUBBELL

**Features**

- For standard switches and receptacles
- See page R-63 for recommended plate options.

**Ordering Information**

Description	Color	UPC Number	Catalog Number
1-Gang Standard Box	Office White	783585092126	PW1SBA

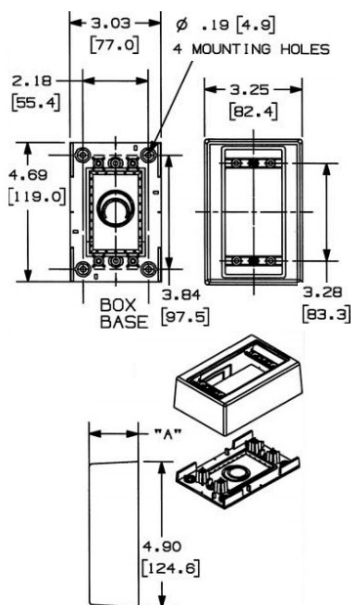


**Listings**

UL Listed  
 CSA Certified

**Specifications**

Height	4.90"
Width	3.25"
Length	1.63"



**Online Resources**

Customer Use Drawing  
 eCatalog  
 Installation Instructions

Dimensions in Inches (mm)

Hubbell Wiring Device-Kellems • Hubbell Incorporated (Delaware) • 40 Waterview Drive • Shelton, CT 06484

Phone (800) 288-6000 • Fax (800) 255-1031 • Specifications subject to change without notice.

