

Raceway
Non-Metallic Raceway
PW1 WallTrak® Low Profile (Latching)
2-Gang Deep Box

HUBBELL

Features

- For deep devices or applications
- Uses 2-gang “KP” or “IFP” plates for power or data applications
- See page R-63 for recommended plate options.

Ordering Information

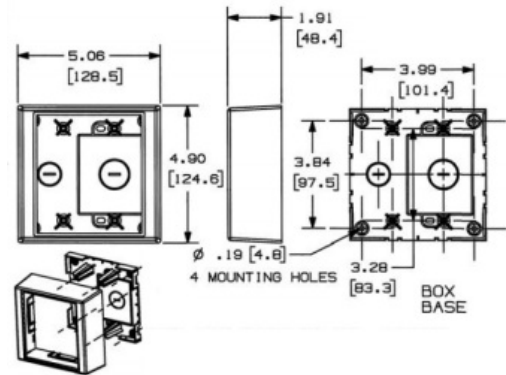
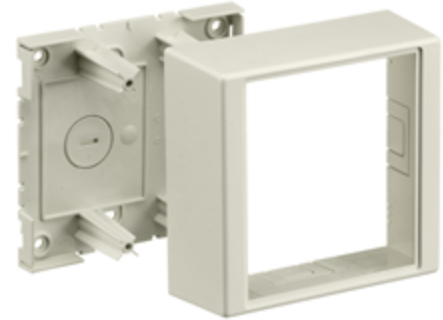
Description	Color	UPC Number	Catalog Number
2-Gang Deep Box	Office White	783585092140	PW1TGB

Listings

UL Listed
 CSA Certified

Specifications

Height	4.60"
Width	5.06"
Length	1.91"



Online Resources

Customer Use Drawing
 eCatalog
 Installation Instructions

Dimensions in Inches (mm)

Hubbell Wiring Device-Kellems • Hubbell Incorporated (Delaware) • 40 Waterview Drive • Shelton, CT 06484

Phone (800) 288-6000 • Fax (800) 255-1031 • Specifications subject to change without notice.

