

Raceway
 Non-Metallic Raceway
 PW2 WallTrak® (Latching) Flat Elbow Base
 and Cover

HUBBELL

Features

- Full capacity 1¼ in. bend radius external elbow.

Ordering Information

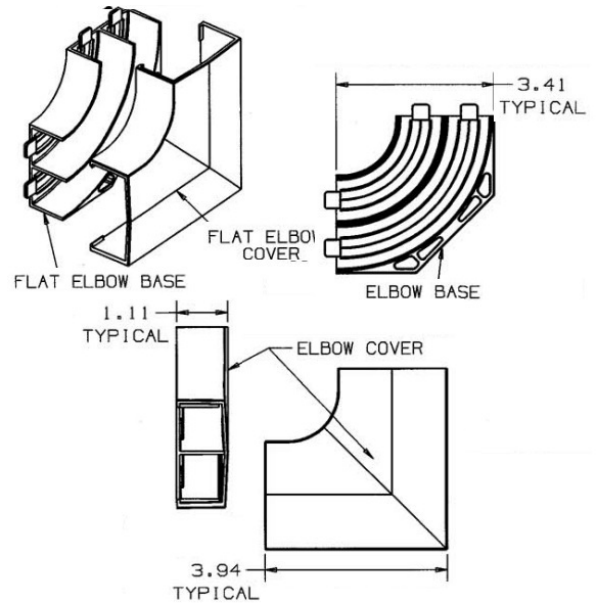
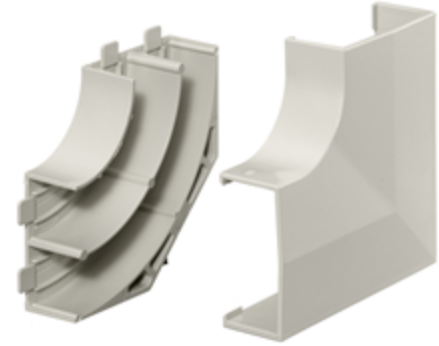
Description	Color	UPC Number	Catalog Number
Flat Elbow Base and Cover	Office White	783585090689	PW2FEBC

Listings

UL Listed
 CSA Certified

Specifications

Height	2.62"
Width	0.85"
Length	2.62"



Online Resources

Customer Use Drawing
 eCatalog
 Installation Instructions

Dimensions in Inches (mm)

Hubbell Wiring Device-Kellems • Hubbell Incorporated (Delaware) • 40 Waterview Drive • Shelton, CT 06484

Phone (800) 288-6000 • Fax (800) 255-1031 • Specifications subject to change without notice.

