

Raceway Non-Metallic Raceway PW2 WallTrak® (Latching) Reducer

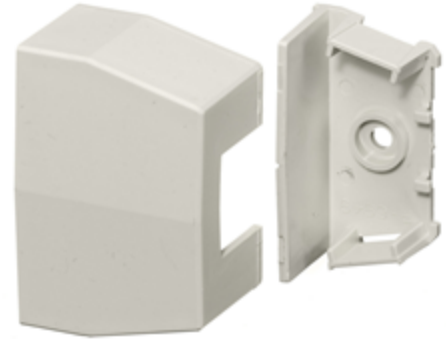
HUBBELL

Features

- Reduces from PW2 WallTrak Raceway to one or two PP1 PremiseTrak Raceway(s).

Ordering Information

Description	Color	UPC Number	Catalog Number
Reducer	Office White	783585090757	PW2RED

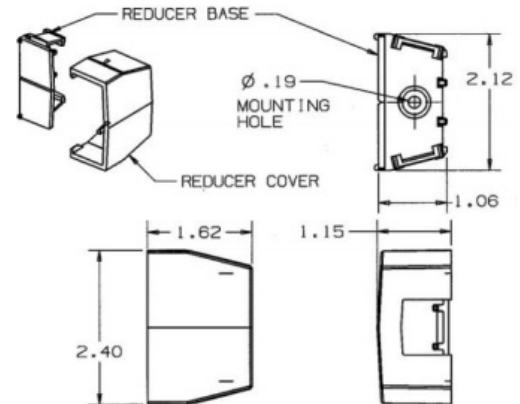


Listings

UL Listed
CSA Certified

Specifications

Height	2.40"
Width	1.15"
Length	1.62"



Online Resources

Customer Use Drawing
eCatalog
Installation Instructions

Dimensions in Inches (mm)

Hubbell Wiring Device-Kellems • Hubbell Incorporated (Delaware) • 40 Waterview Drive • Shelton, CT 06484

Phone (800) 288-6000 • Fax (800) 255-1031 • Specifications subject to change without notice.

