

Raceway
Non-Metallic Raceway
PW2 WallTrak® (Latching) Safety Strap

HUBBELL

Features

- For preventing potential tampering with PW2 WallTrak Cover. Can also be used as a splice cover.

Ordering Information

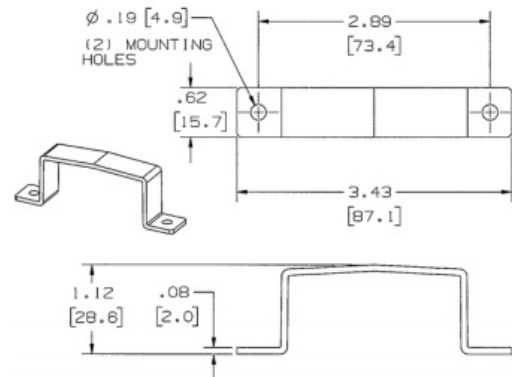
Description	Color	UPC Number	Catalog Number
Safety Strap	Office White	783585090726	PW2SS

Listings

UL Listed
CSA Certified

Specifications

Height	1.12"
Width	3.43"
Length	0.62"



Online Resources

Customer Use Drawing
eCatalog
Installation Instructions

Dimensions in Inches (mm)

Hubbell Wiring Device-Kellems • Hubbell Incorporated (Delaware) • 40 Waterview Drive • Shelton, CT 06484

Phone (800) 288-6000 • Fax (800) 255-1031 • Specifications subject to change without notice.

