

**Raceway**  
**Non-Metallic Raceway**  
**PW2 WallTrak® (Latching) Tee Base and**  
**Cover**

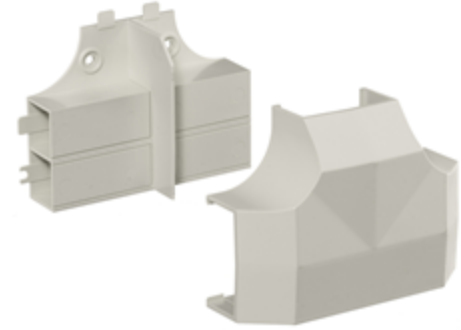
# HUBBELL

**Features**

- Full capacity 1¼ in. bend radius external elbow.

**Ordering Information**

Description	Color	UPC Number	Catalog Number
Tee Base and Cover	Office White	783585090740	PW2TCBC

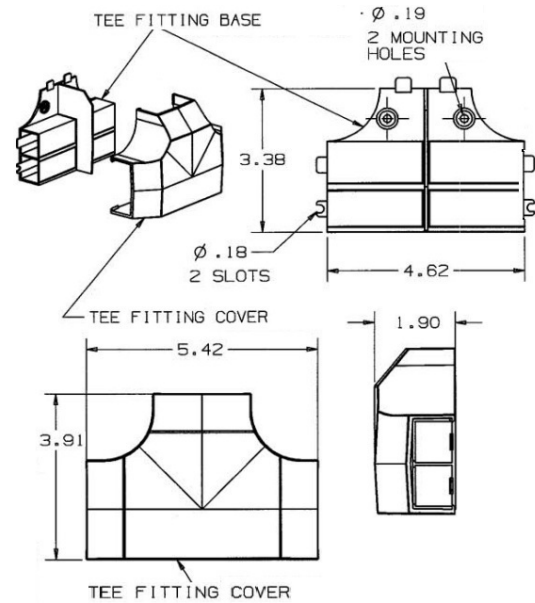


**Listings**

UL Listed  
 CSA Certified

**Specifications**

Height	3.91"
Width	5.42"
Length	1.90"



**Online Resources**

Customer Use Drawing  
 eCatalog  
 Installation Instructions

Dimensions in Inches (mm)

Hubbell Wiring Device-Kellems • Hubbell Incorporated (Delaware) • 40 Waterview Drive • Shelton, CT 06484

Phone (800) 288-6000 • Fax (800) 255-1031 • Specifications subject to change without notice.

