

Floor Boxes  
SystemOne Round Recessed 4 Gang Floor Boxes  
Device Plates

# HUBBELL

## Features

- Plate Opening (2) Extron® AAP Modules
- Powder Coat Painted

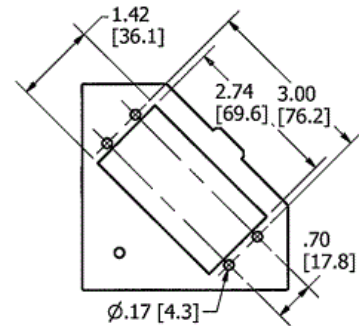


## Ordering Information

Color  
White

UPC Number  
783585445328

Catalog Number  
RAFB4SP2AAP



RAFB4SP2AAP  
2 X 1 EXTRON® AAP COVER PLATE

## Online Resources

Customer Use Drawing  
eCatalog  
Installation Instructions

Dimensions in Inches (mm)

Hubbell Wiring Device-Kellems • Hubbell Incorporated (Delaware) • 40 Waterview Drive • Shelton, CT 06484

Phone (800) 288-6000 • Fax (800) 255-1031 • Specifications subject to change without notice.

