

Switches and Lighting Controls

Decorator Series, 15A 125V AC

1) Tamper Resistant Single Receptacle, 1) Single Pole Rocker

Features

- Smooth, quiet rocker
- Low profile, less than 1 inch deep
- Self-grounding feature is standard
- Residential Grade

Ordering Information

UPC 883778302350 Catalog Number RCD108GYTR

Listings

CSA Certified
UL Listed E3896

Specifications

Action	Snap Switch
Contact Configuration	Two Position
Environmental Conditions	Indoor Dry Unless Protected By Additional Means
Operating Cycles	30,000 Minimum
Operating Temperature	Max Continuous- 60 Degrees C, Minimum- -20 Without Impact
Wattage	1875

Performance

Electrical	
Dielectric voltage	Withstands 1,500V AC minimum for 1 minute
Endurance	30,000 cycles minimum
Max. working voltage	120V
Overload	1.5 times rating

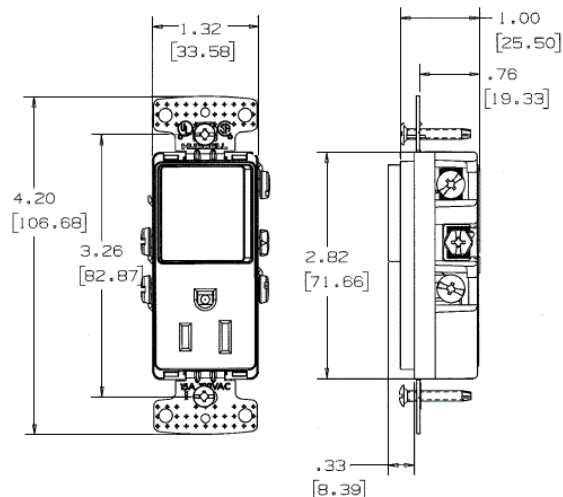
Mechanical

Terminal accommodation	Back and side wire: #14 AWG min. - #12 AWG max. solid and stranded copper wire only; push wire: #14 AWG solid copper wire only
------------------------	--

Environmental

Flammability	UL V-0
Operating Temperatures	Maximum continuous 60°C; minimum -20°C (without impact)

HUBBELL



Online Resources

Customer Sales Drawings
eCatalog
Installation Instructions

Dimensions in Inches (mm)

Hubbell Wiring Device-Kellems • Hubbell Incorporated (Delaware) • 40 Waterview Drive • Shelton, CT 06484

Phone (800) 288-6000 • Fax (800) 255-1031 • Specifications subject to change without notice.

