

## Switches and Lighting Controls

### Decorator Series, 15A 125V AC

#### 1) Pilot Light, 1) Single Pole Rocker

#### Features

- Smooth, quiet rocker
- Low profile, less than 1 inch deep
- Self-grounding feature is standard
- Residential Grade

#### Ordering Information

<b>Color</b> White	<b>UPC</b> 883778110382	<b>Catalog Number</b> RCD109W
-----------------------	----------------------------	----------------------------------

#### Listings

CSA Certified  
UL Listed E3896

#### Specifications

Action	Snap Switch
Contact Configuration	Two Position
Environmental Conditions	Indoor Dry Unless Protected By Additional Means
Operating Cycles	30,000 Minimum
Operating Temperature	Max Continuous- 60 Degrees C, Minimum-20 Without Impact
Wattage	1875

#### Performance

<b>Electrical</b>	
Dielectric voltage	Withstands 1,500V AC minimum for 1 minute
Endurance	30,000 cycles minimum
Max. working voltage	120V
Overload	1.5 times rating

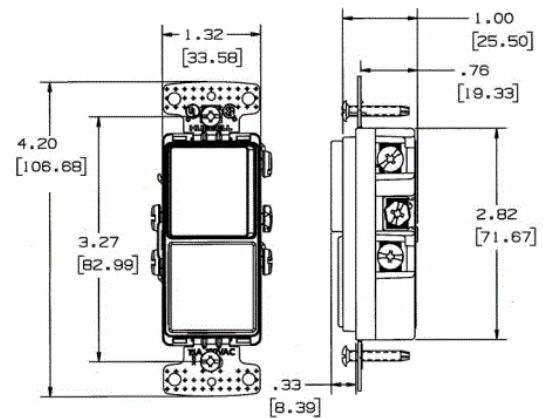
#### Mechanical

Terminal accommodation	Back and side wire: #14 AWG min. - #12 AWG max. solid and stranded copper wire only; push wire: #14 AWG solid copper wire only
------------------------	--

#### Environmental

Flammability	UL V-0
Operating Temperatures	Maximum continuous 60°C; minimum -20°C (without impact)

# HUBBELL



#### Online Resources

Customer Sales Drawings  
eCatalog  
Installation Instructions

Dimensions in Inches (mm)

Hubbell Wiring Device-Kellems • Hubbell Incorporated (Delaware) • 40 Waterview Drive • Shelton, CT 06484

Phone (800) 288-6000 • Fax (800) 255-1031 • Specifications subject to change without notice.

