

1) Three Way Switch 1) Pilot Light Clear

**Features**

- Smooth, quiet rocker
- Low profile, less than 1 inch deep
- Self-grounding feature is standard
- Residential Grade

**Ordering Information**

<b>Color</b> White	<b>UPC</b> 883778110504	<b>Catalog Number</b> RCD309W
-----------------------	----------------------------	----------------------------------

**Listings**

CSA Certified  
UL Listed E3896

**Specifications**

Action	Snap Switch
Contact Configuration	Two Position
Environmental Conditions	Indoor Dry Unless Protected By Additional Means
Operating Cycles	30,000 Minimum
Operating Temperature	Max Continuous- 60 Degrees C, Minimum-20 Without Impact
Wattage	1875

**Performance**

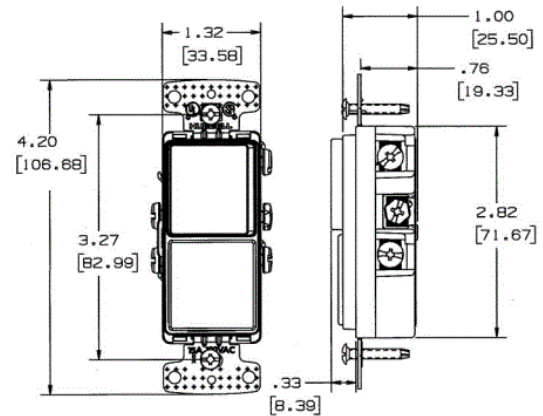
<b>Electrical</b>	
Dielectric voltage	Withstands 1,500V AC minimum for 1 minute
Endurance	30,000 cycles minimum
Max. working voltage	120V
Overload	1.5 times rating

**Mechanical**

Terminal accommodation	Back and side wire: #14 AWG min. - #12 AWG max. solid and stranded copper wire only; push wire: #14 AWG solid copper wire only
------------------------	--

**Environmental**

Flammability	UL V-0
Operating Temperatures	Maximum continuous 60°C; minimum -20°C (without impact)



**Online Resources**

- Customer Sales Drawings
- eCatalog
- Installation Instructions