

Tri-Power Pop Up Counter Receptacles

20A 125V Tamper-Resistant Tri-Power Pop Up Counter Receptacle Surface Mount, Chrome & Color Kit



Features

- Wireless Charging, A & C USB Ports, and 20 Amp 125 V power outlet all in one
- Spill water tested
- UL Listed for countertop installation
- Permanent installation ready (suitable for MC cable or non-metallic sheath cable)
- Type A and C USB ports
- LED Light indicates power to the ports
- Durable: Push-down to pop-up function is rated for a minimum of 10,000 cycles
- Stability: Firm tower design
- Suitable for 20 Amp circuit, end of line



Ordering Information

| Description | UPC | Catalog Number |
|---|-------------|----------------|
| 20A 125V Tamper-Resistant Tri-Power Pop-Up Kitchen Counter Receptacle, Surface Mount | 88377831057 | RCT620CH |

| Finish | Color/Material |
|----------|----------------|
| Polished | Chrome |

Listings

UL and cULus listed to UL498, Section 147

Specifications

| | |
|------------------|------------------------------|
| Cover and Flange | Silicone & Die Cast Aluminum |
| Main Body | Engineered Thermoplastic PBT |
| Wiring Chamber | Die Cast Aluminum |
| Water Seals | Elastomers and Silicon |

Performance

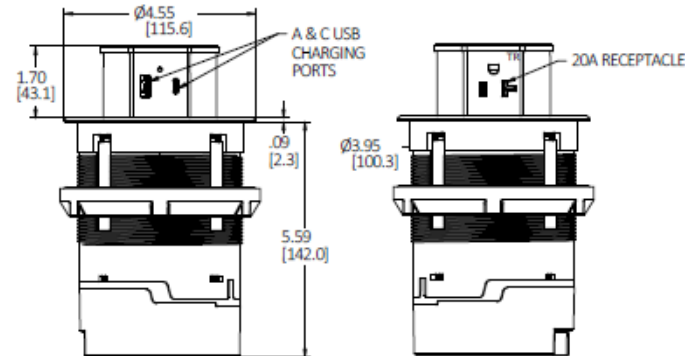
| Electrical | |
|--------------------|-----------------------------------|
| Receptacle | 20 Amp 125 Volt, Tamper-Resistant |
| Qi Rating | Certified 7.5 Watts |
| USB A Port | 5 Amp at 5 Vdc |
| USB C Port | 30 Watts at 9 Vdc |
| Circuit Rating | 20 Amp non-feed through |
| Dielectric Voltage | Withstands 2,000V minimum |

Mechanical

| | |
|-------------------------|--|
| Terminal Accommodation | #12 AWG copper stranded or solid conductor only |
| Terminal Identification | Terminals identified in accordance with UL 498 and CSA |

Environmental

| | |
|-----------------------|---|
| Flammability | UL 94V-2 |
| Operating Temperature | Maximum continuous 75°C, minimum -40°C (w/o impact) |



Resources

Sales Drawing
Catalog Page
Installation Instructions