

Floor Boxes
Residential Delivery Systems
Flush Floor Boxes for Wooden Floors

HUBBELL

Features

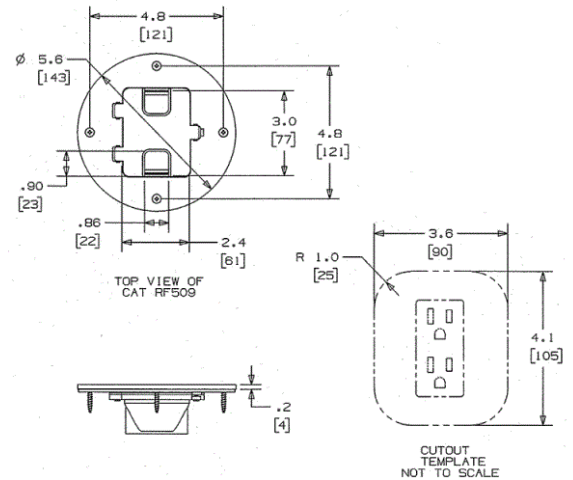
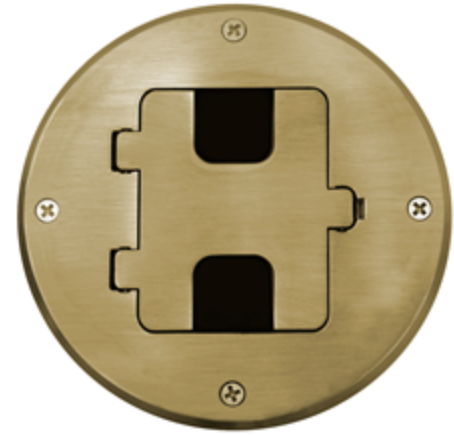
- Pre-assembled flange and cover for fast installation
- Top screw fastening and side joist mounting provided
- Height accessible adjustments after the box is mounted

Ordering Information

Description	Finish	UPC	Catalog Number
Flush fit for hardwood	Clear Lacquer	883778303913	RF509BR

Specifications

Material	Solid Brass
----------	-------------



Online Resources

- Customer Use Drawing
- eCatalog
- Installation Instructions

Dimensions in Inches (mm)

Hubbell Wiring Device-Kellems • Hubbell Incorporated (Delaware) • 40 Waterview Drive • Shelton, CT 06484

Phone (800) 288-6000 • Fax (800) 255-1031 • Specifications subject to change without notice.

