

Residential Devices

Push, Brass Shell, 600W 600V

Incandescent Lamp Sockets

HUBBELL

Ordering Information

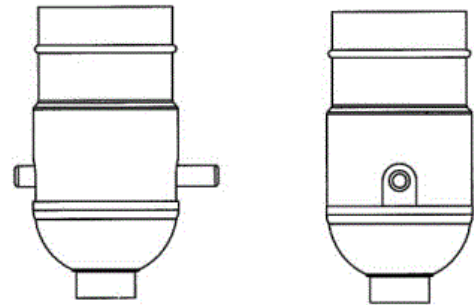
| | | |
|--------------|--------------|-----------------------|
| Color | UPC | Catalog Number |
| Brass | 883778112140 | RL105 |

Listings

UL or cUL Listed

Specifications

| | |
|------------------|--------------------------------|
| Voltage Rating | 250V AC kV |
| Application | Brass Lampholders, Medium Base |
| Frequency Rating | 60 Hz |
| Special Features | Push Through |



Online Resources

[Customer Sales Drawings](#)
[eCatalog](#)
[Installation Instructions](#)

Dimensions in Inches (mm)

Hubbell Wiring Device-Kellems • Hubbell Incorporated (Delaware) • 40 Waterview Drive • Shelton, CT 06484

Phone (800) 288-6000 • Fax (800) 255-1031 • Specifications subject to change without notice.

