

Residential Devices

Cleat Socket, Medium Base, 660W 250V

Incandescent Lamp Sockets

HUBBELL

Ordering Information

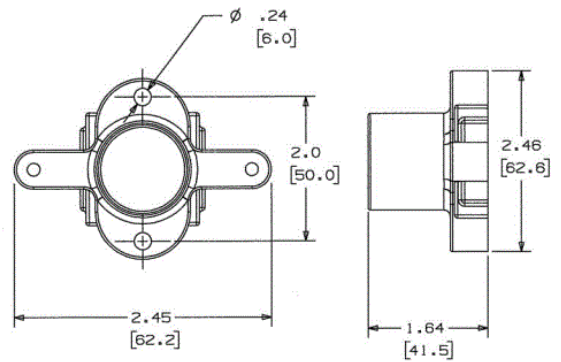
Color Black	UPC 883778112218	Catalog Number RL153
-----------------------	----------------------------	--------------------------------

Listings

C/US UL Listed

Specifications

Voltage Rating	250V AC kV
Application	Medium Base Surface and Sign Mount
Frequency Rating	60 Hz
Special Features	Pony Cleat



Online Resources

[Customer Sales Drawings](#)
[eCatalog](#)
[Installation Instructions](#)

Dimensions in Inches (mm)

Hubbell Wiring Device-Kellems • Hubbell Incorporated (Delaware) • 40 Waterview Drive • Shelton, CT 06484

Phone (800) 288-6000 • Fax (800) 255-1031 • Specifications subject to change without notice.

