

Residential Devices

Medium Base, Screw Terminal, Screw Mounted

Lamp Holders and Sockets

HUBBELL

Ordering Information

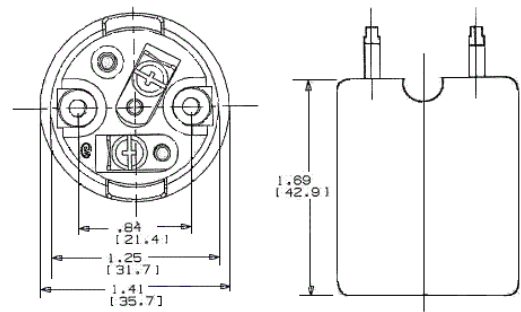
Color	UPC	Catalog Number
White	883778304125	RL162

Listings

C/US UL Listed

Specifications

Voltage Rating	250V AC KV
Application	Medium Base, Straight Body Keyless Porcelain
Frequency Rating	60 Hz



Online Resources

Customer Sales Drawings
eCatalog
Installation Instructions

Dimensions in Inches (mm)

Hubbell Wiring Device-Kellems • Hubbell Incorporated (Delaware) • 40 Waterview Drive • Shelton, CT 06484

Phone (800) 288-6000 • Fax (800) 255-1031 • Specifications subject to change without notice.

