

## Residential Devices

# Medium Base, 2 Piece Sign Mount, Wire Leads Incandescent Lamp Holder

# HUBBELL

## Ordering Information

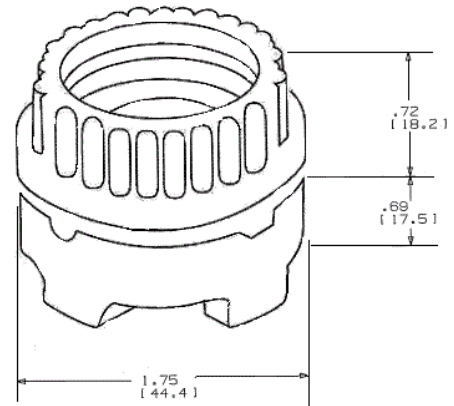
<b>Color</b> White	<b>UPC</b> 883778304163	<b>Catalog Number</b> RL164
-----------------------	----------------------------	--------------------------------

## Listings

C/US UL Listed

## Specifications

Voltage Rating	250V AC KV
Application	Medium Base Surface and Sign Mount
Frequency Rating	60 Hz



## Online Resources

[Customer Sales Drawings](#)  
[eCatalog](#)  
[Installation Instructions](#)

Dimensions in Inches (mm)

Hubbell Wiring Device-Kellems • Hubbell Incorporated (Delaware) • 40 Waterview Drive • Shelton, CT 06484

Phone (800) 288-6000 • Fax (800) 255-1031 • Specifications subject to change without notice.

