

Switches and Lighting Controls

500W Max, 120V AC

Vacancy Sensor Switch

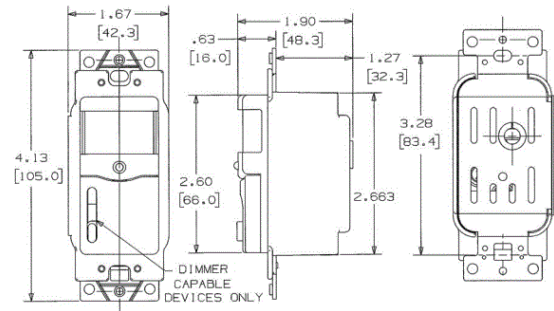
HUBBELL

Ordering Information

Color Almond	UPC 883778112607	Catalog Number RMS100AL
------------------------	----------------------------	-----------------------------------

Specifications

Sensing Range	42 to 54 Inches above the Floor
Indicator(s) Type	PIR= Red LED
Application	1-Button
Operating Cycles	6,000 Cycles Minimum
Mounting Hardware	Screw Mounting
California Title 24 Compliant	Yes



Online Resources

[Customer Sales Drawings](#)
[eCatalog](#)
[Installation Instructions](#)

Dimensions in Inches (mm)

Hubbell Wiring Device-Kellems • Hubbell Incorporated (Delaware) • 40 Waterview Drive • Shelton, CT 06484

Phone (800) 288-6000 • Fax (800) 255-1031 • Specifications subject to change without notice.

