

## Residential Devices

# 15A 125V, 2-Pole 2-Wire Non-Grounding Female Connector

# HUBBELL

## Ordering Information

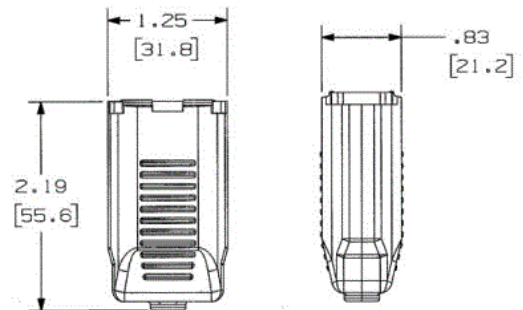
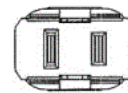
<b>Color</b> White	<b>UPC</b> 883778112546	<b>Catalog Number</b> RP102BK
-----------------------	----------------------------	----------------------------------

## Listings

UL Listed

## Specifications

Current/Amperage Rating	15 A
Voltage Rating	125 VAC
Application	Trade Select Residential Devices
Environmental Conditions	Indoor Dry Unless Protected By Additional Means
Insulation	Insulated Body
NEMA Rating	1-15R
Special Features	Polarized
Temperature Rating	Maximum Continuous: 75° C; Minimum Continuous: -40° C w/o impact, -25° with impact.



## Online Resources

Customer Sales Drawings  
eCatalog  
Installation Instructions

Dimensions in Inches (mm)

Hubbell Wiring Device-Kellems • Hubbell Incorporated (Delaware) • 40 Waterview Drive • Shelton, CT 06484

Phone (800) 288-6000 • Fax (800) 255-1031 • Specifications subject to change without notice.

