

Straight Blade Devices

50A, 125/250V, 3 Pole, 4 Wire Grounding

Residential Single Receptacle

Features

- Sequenced contacts assure protection
- Catalog number, ratings and certifications molded in face
- One piece design power and ground contacts
- Consists of Receptacle with 4 screws in a single cover and an instruction sheet

Ordering Information

| Description | Color | UPC Number | Catalog Number |
|------------------------|-------|--------------|----------------|
| Flush Mount Receptacle | Black | 883778100741 | RR450F |

Listings

UL Listed
NEMA Rating 14-50R

Specifications

| | |
|----------------|---------------------|
| Housing | Plastic |
| Contacts | Brass |
| Ground Shunt | Brass |
| Mounting Plate | Zinc-Plated Steel |
| Box Terminals | Tin-Plated Aluminum |

Performance

| | |
|----------------------|--|
| Electrical | |
| Current Interrupting | Certified for current interrupting at full rated current |
| Dielectric Voltage | Withstands 2000V AC minimum for 1 minute |

Mechanical

| | |
|-------------------------|--|
| Product Identification | Ratings are a permanent part of the device |
| Terminal Accommodation | #10 AWG through #4 AWG copper wire only |
| Terminal Identification | Terminals identified in accordance with UL 498 and CSA |

Environmental

| | |
|-----------------------|---|
| Flammability | UL 94 V-0 |
| IP Suitability | IP20 |
| Operating Temperature | Maximum continuous 75°C; minimum -40°C (w/o impact) |

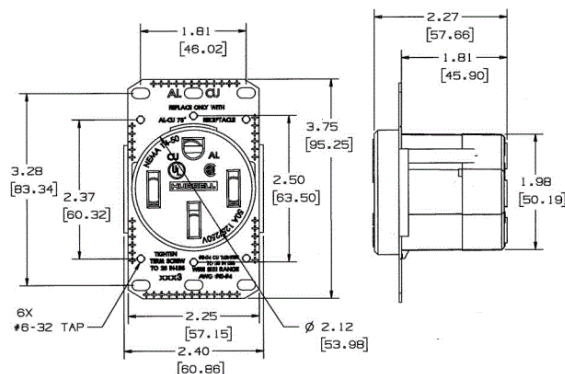
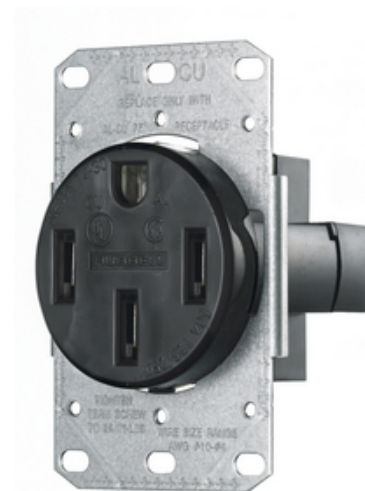
Complementary Products

Wallplate or Weatherproof Cover 2.12" Opening

Online Resources

eCatalog

HUBBELL



Dimensions in Inches (mm)

Hubbell Wiring Device-Kellems • Hubbell Incorporated (Delaware) • 40 Waterview Drive • Shelton, CT 06484

Phone (800) 288-6000 • Fax (800) 255-1031 • Specifications subject to change without notice.

