

Switches and Lighting Controls  
15A 120/277V AC, Double Pole  
Rocker

# HUBBELL

## Features

- Smooth, quiet rocker
- Self-grounding feature is standard
- Ultrasonically welded cover and base
- Residential Grade

## Ordering Information

|                       |                            |                                  |
|-----------------------|----------------------------|----------------------------------|
| <b>Color</b><br>Ivory | <b>UPC</b><br>883778101373 | <b>Catalog Number</b><br>RSD215I |
|-----------------------|----------------------------|----------------------------------|

## Listings

CSA Certified  
UL Listed E3896

## Performance

### Electrical

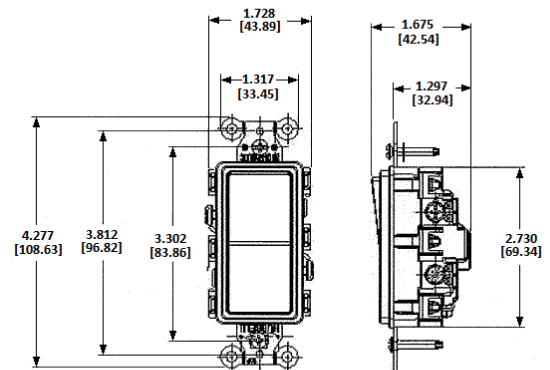
|                      |   |
|----------------------|---|
| Dielectric voltage   | Withstands 1,500V AC minimum for 1 minute |
| Endurance            | 30,000 cycles minimum                     |
| Max. working voltage | 120V                                      |
| Overload             | 1.5 times rating                          |

### Mechanical

|                        |  |
|------------------------|--|
| Terminal accommodation | Back and side wire: #14 AWG min. - #12 AWG max. solid and stranded copper wire only; push wire: #14 AWG solid copper wire only |
|------------------------|--|

### Environmental

|                        |   |
|------------------------|---|
| Flammability           | UL V-0  |
| Operating Temperatures | Maximum continuous 60°C; minimum -20°C (without impact) |



## Online Resources

Customer Sales Drawings  
eCatalog  
Installation Instructions

Dimensions in Inches (mm)

Hubbell Wiring Device-Kellems • Hubbell Incorporated (Delaware) • 40 Waterview Drive • Shelton, CT 06484

Phone (800) 288-6000 • Fax (800) 255-1031 • Specifications subject to change without notice.

