

Switches and Lighting Controls

Three Way, 15A 120/277V AC

Decorator Switch

HUBBELL

Features

- Smooth, quiet rocker
- Self-grounding feature is standard
- Ultrasonically welded cover and base
- Residential Grade

Ordering Information

| | | |
|-----------------------|----------------------------|-----------------------------------|
| Color Black | UPC 883778101281 | Catalog Number RSD315BK |
|-----------------------|----------------------------|-----------------------------------|

Listings

CSA Certified
UL Listed E3896

Performance

Electrical

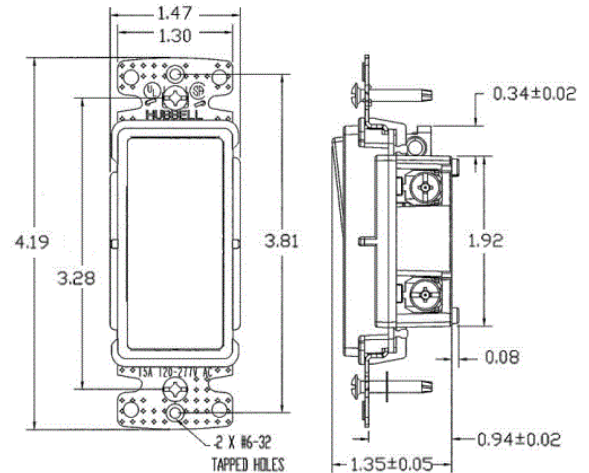
| | |
|----------------------|---|
| Dielectric voltage | Withstands 1,500V AC minimum for 1 minute |
| Endurance | 30,000 cycles minimum |
| Max. working voltage | 120V |
| Overload | 1.5 times rating |

Mechanical

| | |
|------------------------|--|
| Terminal accommodation | Back and side wire: #14 AWG min. - #12 AWG max. solid and stranded copper wire only; push wire: #14 AWG solid copper wire only |
|------------------------|--|

Environmental

| | |
|------------------------|---|
| Flammability | UL V-0 |
| Operating Temperatures | Maximum continuous 60°C; minimum -20°C (without impact) |



Online Resources

Customer Sales Drawings
eCatalog

Dimensions in Inches (mm)

Hubbell Wiring Device-Kellems • Hubbell Incorporated (Delaware) • 40 Waterview Drive • Shelton, CT 06484

Phone (800) 288-6000 • Fax (800) 255-1031 • Specifications subject to change without notice.

