

## Switches and Lighting Controls

1.5A 120V AC

## Fan Speed Controls, 3 Speed

# HUBBELL

### Ordering Information

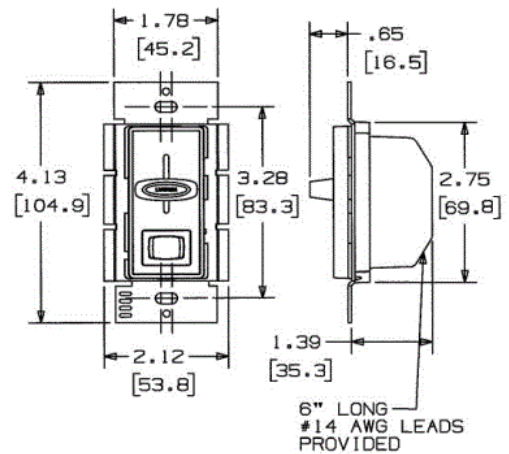
Description	Color	UPC Number	Catalog Number
Slide Control Slide to OFF	Light Almond	883778116551	RSFSQFLA

### Listings

CSA Certified

### Specifications

Application	Only use with Compatible Dimmable Bulbs
Construction	Metal Strap, Polycarbonate Front
Number of Gang(s)	1-Gang



### Online Resources

Customer Sales Drawings  
eCatalog  
Installation Instructions

Dimensions in Inches (mm)

Hubbell Wiring Device-Kellems • Hubbell Incorporated (Delaware) • 40 Waterview Drive • Shelton, CT 06484

Phone (800) 288-6000 • Fax (800) 255-1031 • Specifications subject to change without notice.

