

Residential Devices

Under Cabinet Distribution Box, Slim

HUBBELL

Features

- Mounting hardware included
- Available with nylon or metal cover
- Custom configurable, accepts any decorator style device

Ordering Information

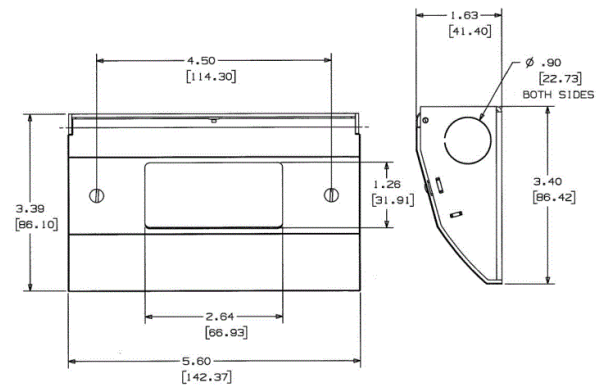
Color Brushed Stainless	UPC 883778113000	Catalog Number RU100SS
-----------------------------------	----------------------------	----------------------------------

Listings

CSA Certified;UL Listed E31999

Specifications

Application	Under Cabinet/Counter Power Distribution
Cable Entry	Knock Outs



Online Resources

Customer Sales Drawings
eCatalog
Installation Instructions

Dimensions in Inches (mm)

Hubbell Wiring Device-Kellems • Hubbell Incorporated (Delaware) • 40 Waterview Drive • Shelton, CT 06484

Phone (800) 288-6000 • Fax (800) 255-1031 • Specifications subject to change without notice.

