

Residential Devices

Under Cabinet Distribution Box, For GFCI

HUBBELL

Features

- Mounting hardware included
- Available with nylon or metal cover
- Custom configurable, accepts any decorator style device

Ordering Information

Color
Brushed Stainless

UPC
883778112973

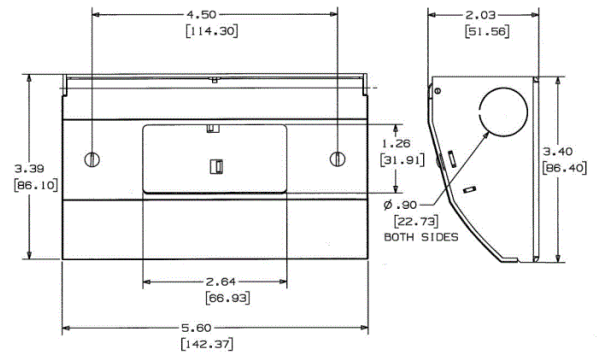
Catalog Number
RU200SS

Listings

CSA Certified;UL Listed E31999

Specifications

Application Under Cabinet/Counter Power Distribution
Cable Entry Knock Outs



Online Resources

Customer Sales Drawings
eCatalog
Installation Instructions

Dimensions in Inches (mm)

Hubbell Wiring Device-Kellems • Hubbell Incorporated (Delaware) • 40 Waterview Drive • Shelton, CT 06484

Phone (800) 288-6000 • Fax (800) 255-1031 • Specifications subject to change without notice.

