

Wallplates
 Weatherproof Covers for Duplex, GFCI,
 Surge Receptacles and Style Line® Devices

HUBBELL

Ordering Information

Description	Color	Catalog Number	UPC
2-gang, one duplex/one GFCI, Surge and Style Line® cover, vertical mounting	Gray	RW51330	883778119491

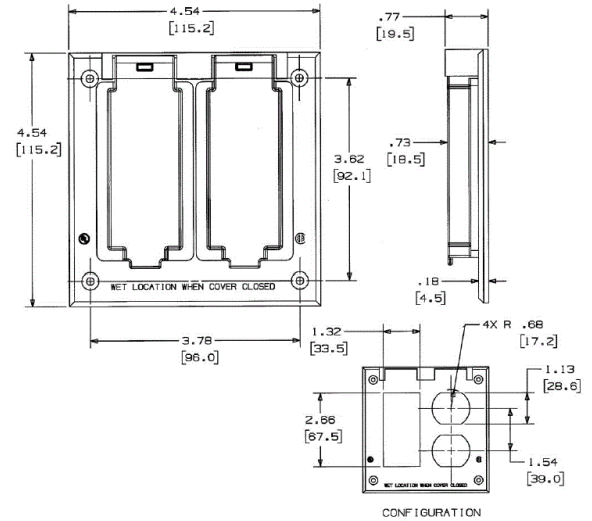


Listings

UL Listed
 CSA Certified

Specifications

Material	Zinc, painted gray
Gasket	Foam
Mounting Screws	Zinc plated steel



Online Resources

Customer Use Drawing
 eCatalog

Dimensions in Inches (mm)

Hubbell Wiring Device-Kellems • Hubbell Incorporated (Delaware) • 40 Waterview Drive • Shelton, CT 06484

Phone (800) 288-6000 • Fax (800) 255-1031 • Specifications subject to change without notice.

