

Wallplates
 Weatherproof Covers for Duplex, GFCI,
 Surge Receptacles and Style Line® Devices



Ordering Information

Description	Color	Catalog Number	UPC
1-gang, duplex cover for Box Mounting, vertical mounting	Gray	RW51470	883778119521

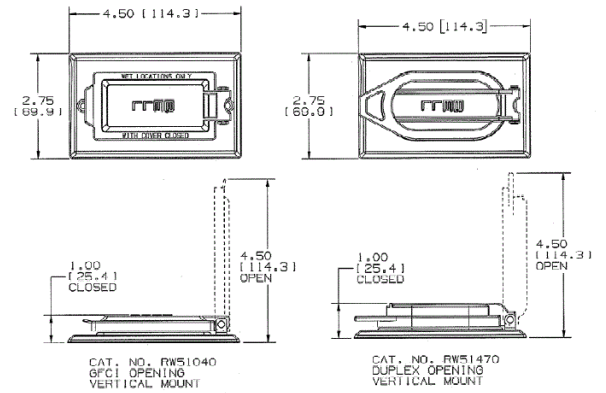


Listings

UL Listed
 CSA Certified

Specifications

Material	Zinc, painted gray
Gasket	Foam
Mounting Screws	Zinc plated steel



Online Resources

Customer Use Drawing
 eCatalog

Dimensions in Inches (mm)

Hubbell Wiring Device-Kellems • Hubbell Incorporated (Delaware) • 40 Waterview Drive • Shelton, CT 06484

Phone (800) 288-6000 • Fax (800) 255-1031 • Specifications subject to change without notice.

