

Wallplates  
 Weatherproof Covers for Duplex, GFCI,  
 Surge Receptacles and Style Line® Devices

# HUBBELL

## Ordering Information

Description	Color	Catalog Number	UPC
1-gang, 1.40 in. (35.6) cover, vertical mounting	Gray	RW51550	883778119545

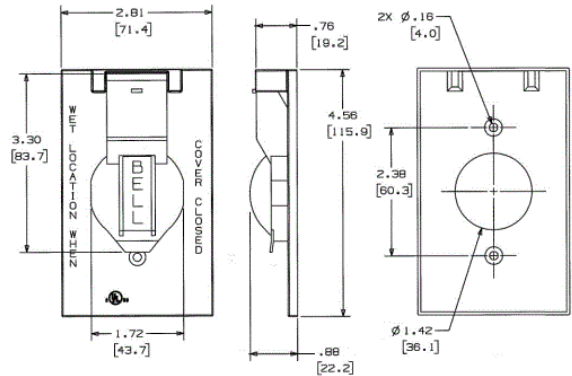


## Listings

UL Listed  
 CSA Certified

## Specifications

Material	Zinc, painted gray
Gasket	Foam
Mounting Screws	Zinc plated steel



## Online Resources

Customer Use Drawing  
 eCatalog

Dimensions in Inches (mm)

Hubbell Wiring Device-Kellems • Hubbell Incorporated (Delaware) • 40 Waterview Drive • Shelton, CT 06484

Phone (800) 288-6000 • Fax (800) 255-1031 • Specifications subject to change without notice.

