

Wall Plates
Weatherproof Plates
Non-Metallic, Extra Duty, Recessed Cover

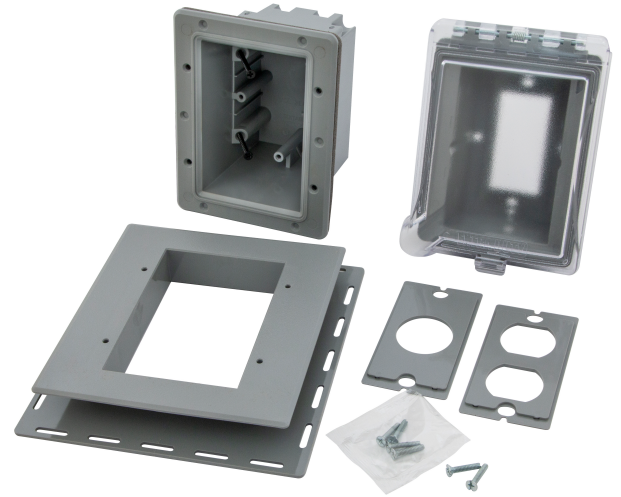
HUBBELL

Features

- NEMA Type 3R, NEC compliant
- Meets extra-duty rating
- Recessed low profile
- Mounts horizontally or vertically

Ordering Information

Description	Device Color	UPC	Catalog Number
Weatherproof Non-Metallic, Extra Duty, Recessed Cover	Clear/Gray	883778309694	RW5420CG



Listings

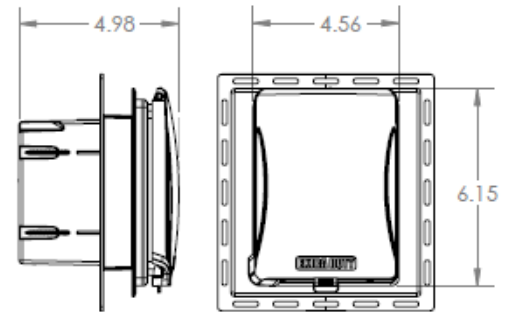
cULus Listed
UL 94

Specifications

Cover	Clear Polycarbonate
Base	Polycarbonate
Gasket	Silicon

Performance

Environmental	
Weatherproof	3R Rated
Flammability	UL V0
Operating Temperatures	Maximum continuous 60°C minimum -40°C (without impact)



Dimensions in Inches (mm)

Hubbell Wiring Device-Kellems • Hubbell Incorporated (Delaware) • 40 Waterview Drive • Shelton, CT 06484

Phone (800) 288-6000 • Fax (800) 255-1031 • Specifications subject to change without notice.

