

**Wallplates**  
**While-In-Use Weatherproof Covers**  
**For Maximum In-Use Protection**

# HUBBELL

**Ordering Information**

Description	Color	Catalog Number	UPC
2-gang, single receptacles, diameter 1.34", 1.40", 1.60", 1.72", 2.03" and 2.15", vertical	Gray	<b>RW57950</b>	883778119606

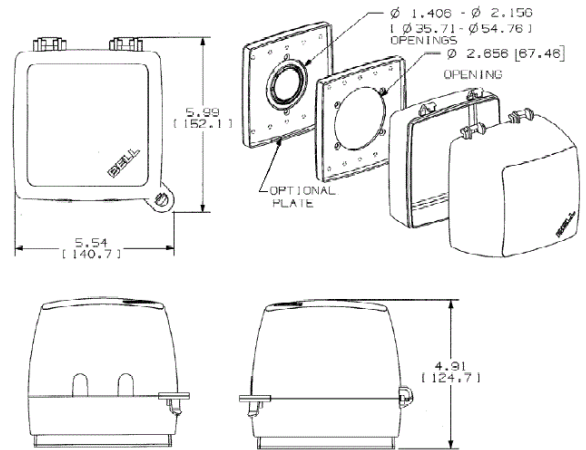


**Listings**

UL Listed - Canadian and U.S.

**Specifications**

Material	Thermoplastic
Gasket	Foam
Screws	Steel



**Online Resources**

Customer Use Drawing  
eCatalog

Dimensions in Inches (mm)

Hubbell Wiring Device-Kellems • Hubbell Incorporated (Delaware) • 40 Waterview Drive • Shelton, CT 06484

Phone (800) 288-6000 • Fax (800) 255-1031 • Specifications subject to change without notice.

